



User's Manual

SUN-OCC-288SMC

Outdoor Fiber Optic Cross-connect Cabinets

English



NOTICE

Trademarks

All trademarks mentioned in this manual are registered property of our company.

Explanation

The content of this manual is subject to our explanation.



Content

1	Feature and specification	1
2	The installation of the cabinet	1
3	Use and maintenance	3
4	Notes.....	6
5	Packing, transportation and storage	7



1 Feature and specification

Feature

- The material of the box is imported from German and protection grade reaches IP65. It can stand the climate upheavals and bad working environment.
- support fiber straight-fusion and the storage of surplus fibers
- fiber splice tray can be pulled out of the box during operating
- suitable for fiber ribbon cables and non-ribbon cables
- Card type installation suitable for FC and SC adapters, and the operation is simple and quick
- The adapter is beveled at an angle of 30 with the front of the box, which can not only ensure the bending radius of curvature of the fiber is not less than 40 mm and also can avoid fiber arc burning the eyes.
- Max. Capacity: 288 cores

Specification

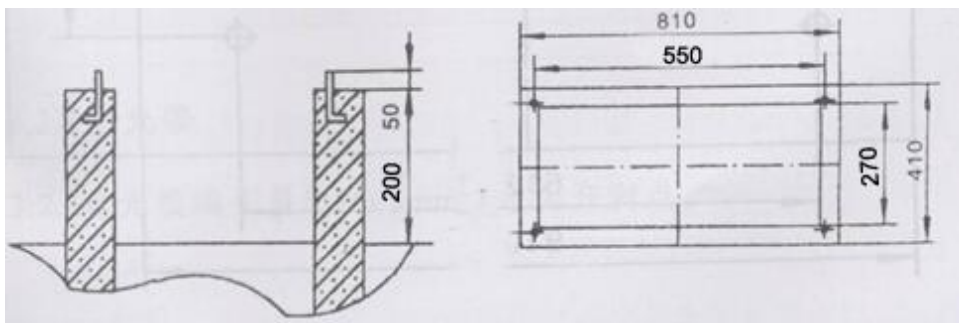
Parameters	Specification
Model	SUN-OCC-288SMC
Maximum Number of Cores	288
Maximum Number of Splitters	10
Cabinet Material	SMC
Adapter Panel	SC, DLC (SC type), FC square type (ST and FC small D type can be customized)
Insulation Resistance (MΩ)	1000 @500V (DC)
Withstanding Voltage (V/min)	3000 (DC), no breakdown, no flashover
Installation Type	Ground

Protection Rating	IP65
Operating Temperature (°C)	-40~ +60
Dimensions (mm)	1450(H) x 750(W) x 320(D)
Weight (kg)	119

2 The installation of the cabinet

2.1 The installation and debugging of the cement

2.1.1 Prefabricate the cement as picture 1 below.



picture 1

- Dimension of the cement(H*L*W): 810mm×410mm×200mm
- Leave a 450mm×200mm×200mm hole for the wire to entry in the foundation center.

2.1.2. Pre-embed ground screws and ensure the center length of the ground screw to be 550mm x 270mm and at the same time the screw is 50mm above ground. (The expansion bolt is also available here.)

2.1.3. Put the cabinet on the cement and make sure the fixing hole is aligned to the ground screw.

2.1.4. In the case of the existing cement, four M17×100 expansion screws is enough to do the fixing.

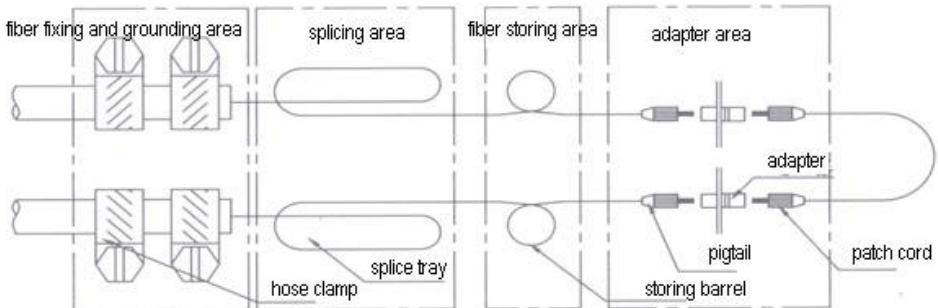
2.2 The installation and the debugging of the cabinet base

When adopt matched-installation, the base can be fixed on the cement first according to the actually situation and then connected to fixing base of the

cabinet.

3 Use and maintenance

3.1 Working principle of the cabinet see picture 2.



Picture 2

3.2 Strip fiber cable

3.2.1 Strip the fiber cable from where is 2800mm away from the end to strip.

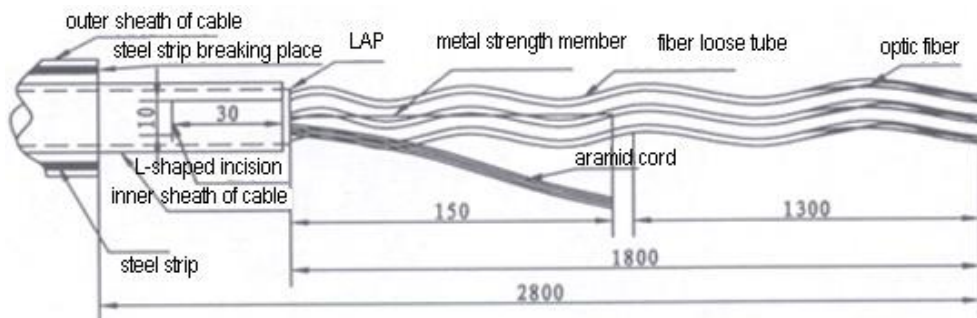
3.2.2 Cut crosswise the outer sheath before stripping with the special stripping knife and carve scratch on the steel strip (but not cut) and then gently bend it back and forth until it break. Remove the disconnected steel strip together with the outer sheath to expose the integrated aluminum sheath.

3.2.3 Take two checking rings and one hose clamp, whose diameter is similar with the diameter of the fiber cable and put it into the fiber cable in turn.

3.2.4 Starting at the end of the integrated aluminum sheath, cut 1800mm of the PR inner sheath and LAP layer and remove the sheath. Be patient to avoid damaging the fiber loose tube.

3.2.5 Lengthwise cut 30mm along the sheath direction at the integrated aluminum sheath breaking point and then crosswise cut 10mm. at this time you will see the L-shaped incision as picture 3 shows.

3.2.6 Cut the winding wire and wrapping tape, and round up the aramid cord. Leave 150mm for the wrapping tape and aramid cord.



Picture 3

3.2.7 Clean up the optical fiber loose tube, strength member and wrapping cord. Please wipe outwards from integrated aluminum sheath breaking point, opposite direction is prohibited, to avoid the loose tube breaking. It is forbidden to use gasoline and other flammable solvent scrubbing in case of a fire.

3.2.8 The fiber loose tube is bent caused by wring. Straighten the tube with electric hair drier and avoid overheating to prevent the loose tube from softening deformation.

3.2.9. Crosswise carve a circle scratch on the loose tube surface with the cutting knife and the carving point is 450mm away from the integrated aluminum sheath breaking end. Gently break the loose tube in the scratched point and remove it. Please don't cut the loose tube in case of the damage of the optical fiber.

3.2.10. Clean up the filling gel of the optical fiber. Please along the loose tube-fiber end direction when wipe and the opposite direction is forbidden.

3.2.11. If necessary, you can stick the loose tube and fiber can be stuck

3.3 The fix and grounding of the cable inlet device

3.3.1 Put the cable into the device through the bottom of the cabinet and then into the cable fixing and grounding protection device

3.3.2 Strip the cable from 100mm ahead from where the hose hoops fixed at with the special cable stripping knife and protect the fiber with sheath. The length of stripping should be from 100mm to 1000mm.



-
- 3.3.3** Fix the armored fiber cable to the cable fixed board with hose clamp and fix the strength member to the grounding copper column.
 - 3.3.4** Connect the ground wire is to the cable fixing plate, and then connect it with room ground.
 - 3.4** The cabinet adopts combinations step rubber bushing for different diameter cable into the box. The open aperture of the rubber bushings should be at least 2mm smaller than the diameter of the fiber cable.
 - 3.5** Thread the stripped fiber into the serpentine hose, and fix the serpentine hose on the binding wire board and then introduce into the splice tray according to the natural curvature.
 - 3.6** Thread the optical fiber splice protection sleeves into the fiber core, and then splice the ends of the fiber core with the ends of the pigtail core and then drive them into the splice tray. (Each splice tray can splice 12 single -core optical fiber.)
 - 3.7** Introduce the spliced pigtail to the patch panel and insert it to corresponding adapter.
 - 3.8** Fiber-optic lines are connected and scheduled through cross-connection with the pigtails. The best length of the pigtail is from 1meter to 1.5 meter.
 - 3.9** When does not require scheduling, the trunk cable and drop cable can be placed directly into the splice tray for protection after being spliced.



4 Notes

- 4.1** This cabinet is suitable for the connection, distribution and dispatch of outdoor cable. It is supposed to be fixed on the firm fixing base for easy installation and dispatch.
- 4.2** There is an air cleft between the cabinet border and the baseboard to keep the inside of the cabinet dry. Do not block it during the installation.
- 4.3** Keep the excess part of the fiber cable bending naturally and the bending radius should be 20 times bigger than the diameter of the fiber cable.
- 4.4** The opening direction (left or right) of the cabinet is up to the user. As long as the positioning pin is removed, you can change the opening just by rotating the door 180 degree.
- 4.5** The lock hole of the box door is equipped with a stainless steel protective cover. Close the cover to prevent the hole was blocked after installation.
- 4.6** Be careful when operating the optical fiber to avoid piercing the skin and eyes.
- 4.7** You are advised not to look directly at the fiber or the end-face of the fiber connector during the light energy was transmitted optically unless the safe energy output is guaranteed.



5 Packing, transportation and storage

5.1 Packing

The packing of the device comply with the packing specification with measurement to proof damp and shock. The package is printed with rain, moisture, shock and direction signs.

5.2 Transportation

The device is suitable for all kinds of transportation. Keep the temperature at $-40^{\circ}\text{C}\sim+60^{\circ}\text{C}$ and relative humidity less than 85% (at $+30^{\circ}\text{C}$) . When the temperature is above $+30^{\circ}\text{C}$ or in rainy days ,prepare awnings to avoid products directly affected by sunlight or rain shower. Handling and carrying the products according to the transport operation mark.

5.3 Storage

Do not put overweight items on the top of the cabinet. The treasury acidic, alkaline of the air or other harmful gases should comply with environmental requirements in the warehouse. and keep the indoor temperature between $-40^{\circ}\text{C} \sim +60^{\circ}\text{C}$ and the relative humidity less than 85% ($+30^{\circ}\text{C}$ pm).

An important message from Sun Telecom

We guarantee that any information you supply will remain confidential.

By returning this card, you will automatically be notified about updates, modifications, and recalibration.



Warranty Registration Card

Serial Number: _____

Model Number: _____

Date of Purchase: _____

Company Name: _____

Company Address: _____

TEL: _____ FAX: _____

E-mail: _____

Note: Please fax this note within one month from the date of receiving units.

YOUR OPINION

Do you have any comments on the quality of this product or the service from us?

SHANGHAI SUN TELECOMMUNICATION CO., LTD.

Building No.145, Lane 666 Xianing Road,

Jinshan Industrial Zone, Shanghai 201506 China

Tel: +86 21 60138638 Fax: +86 21 60138635 - 401

E-mail: ics@suntelecom.cn

<http://www.suntelecom.cn>

