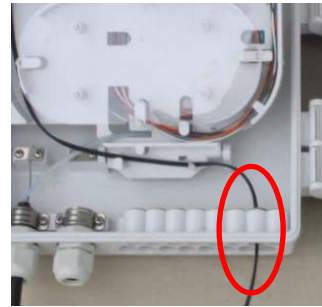
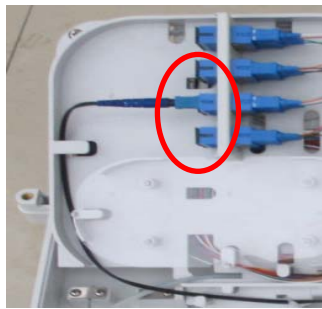


Step 5: Lead output pigtail to the other side of the tray, and insert adapter



Step 6: Pre-insert optical drop cables to outlet holes in order, then seal it by soft block.



Step 7: Pre-installed field assembly connector of drop cable, then insert connector to optical adapter in order and tie it by cable tie



Step 8: Close the cover, and the installation is finished.

SHANGHAI SUN TELECOMMUNICATION CO., LTD.

Building No.145 Lane 666, Xianing Rd.
Jinshan Industrial Zone, Jinshan District
ShangHai, China 201506

Tel: +86 21 60138638 Fax: +86 21 60138635-401

E-mail: ics@suntelecom.cn

<http://www.suntelecom.cn/>



Fiber Optic Terminal Box

English

User's Manual

SUN-ODN-K

Table: SUN-UM-CM-ODN007

Version: A/0

1. Scope of application

This user's manual is suit for SUN-ODN-K fiber optic terminal box, as the guide of proper installation. It allows the installation of PLC splitters and is especially suitable for PON projects.

2. Specifications

Parameters	Specification
Max. No. of Adapters	12
Adapter Type	SC, DLC (SC type)
No. of Inlet and Outlet Ports	2 in 16 out
Box Material	PC Alloy
Dimensions (mm)	320(L) x 260(W) x 90(H)
Weight (kg)	1.1

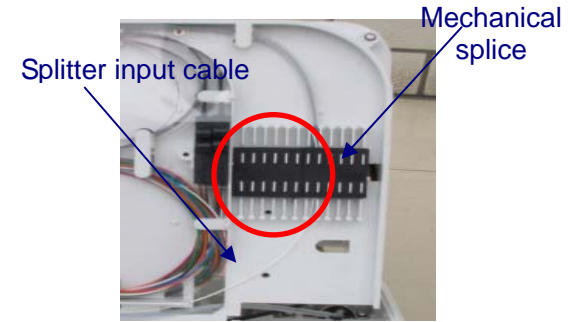
3. Package List

No.	Product	Unit	Quantity
1	Box	set	1
2	Ties	pieces	4
3	Key	piece	1
4	Protective Sleeves	pieces	16
5	Protective Tube	piece	1
6	User's Manual	piece	1
7	Certificate	piece	1

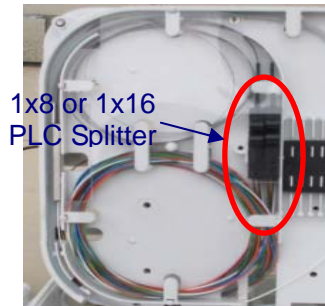
4. Operation



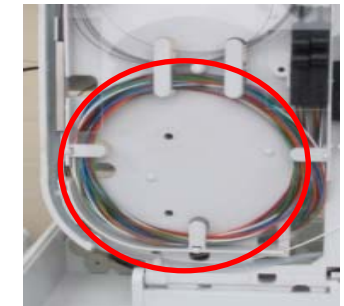
Step 1: Insert small diameter cable and fix it.



Step 2: Connect input cable with splitter input cable by fusion splicing or mechanical splicing.



Step 3: Connect splitter ribbon fibers with output pigtails



Step 4: Fix the arranged output pigtails with loose tube to tray.